

DVI2 SOCKET, RIGHT ANGLE

SPECIFICATIONS

Meets: DDWG's DVI specification

ENVIRONMENTAL

Temperature Range: -20°C to +85°C

MECHANICAL

Insulator Material: Glass-filled thermoplastic, natural, UL94V-0

Shell Material: Zinc Alloy

Contact Material: Phosphor Bronze

Contact Plating: 15µ IN gold

ELECTRICAL

Current Rating: 1.5 AMP

Insulation Resistance: 1000 Megohms Min.

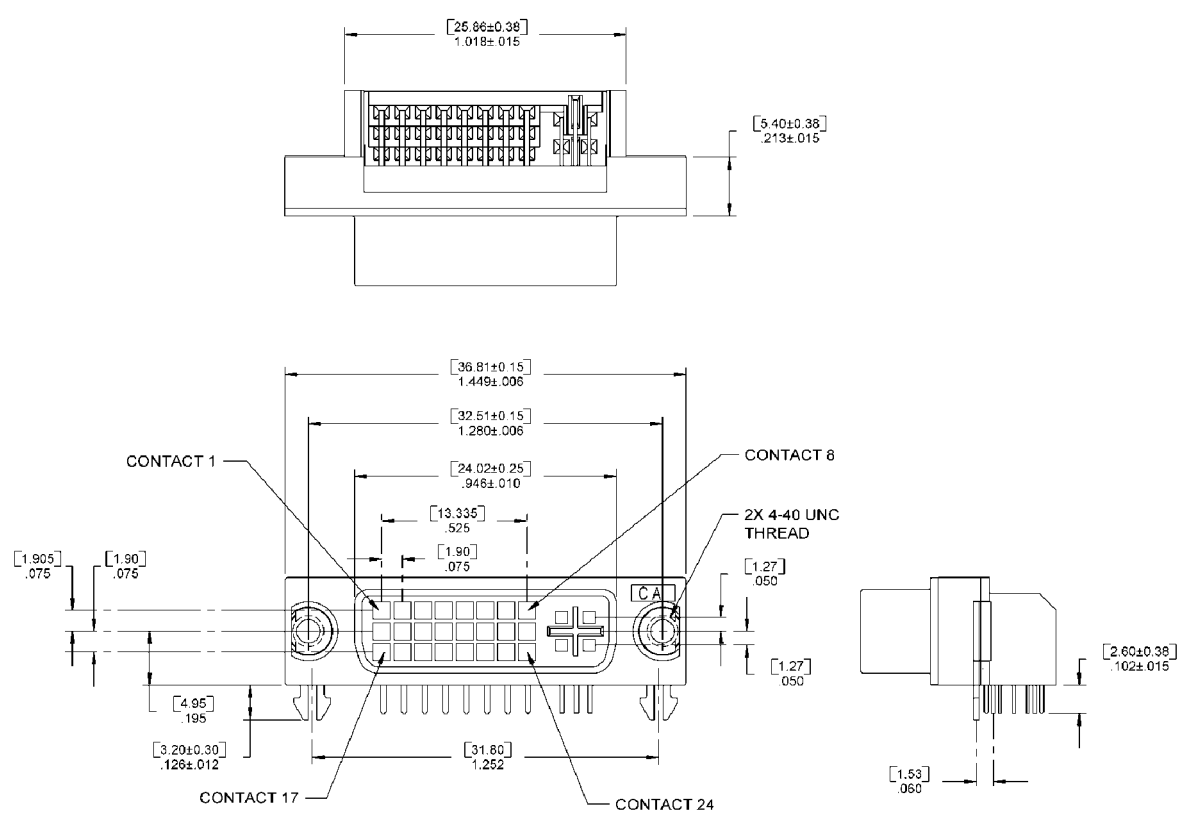
Dielectric Withstanding: 500V AC (rms)

Contact Resistance: 20 Milliohms max

Consult factory for additional plating options

CA- -A-C

POSITION	TYPE	PROFILE	MOUNTING
24 (digital)	D = digital (24)	R = Right Angle	1 = 4-40 threaded insert
29 (integrated)	I = integrated (29)	A = ATX Fork lock, R/A	2 = 4-40 hex screwlock (packaged separately)
			3 = 4-40 hex screwlock (installed)



Mating Product: DVIP (page 8), DVI cable assemblies (page 14)
 Drawing Numbers: CA-610313, 610302, H810001, H810003

